

2021

CABLE ADDITIONAL ELEMENTS



For All Organizations

SECURE CONNECTION - SECURE SERVICE

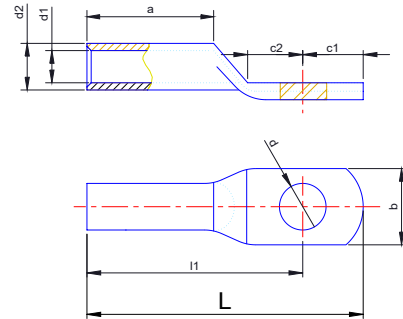
<p>High-Quality Raw Materials</p>	<p>High electrical conductivity and long corrosion resistance thanks to high-quality electrolytic copper and tin</p>
<p>Quality Production</p>	<p>Production is carried out with the highest precision and minimal error using CNC and automated production lines.</p>
<p>Quality Control</p>	<p>In our laboratory, our products are developed and supervised by constantly conducting electrical, mechanical and environmental tests.</p>
<p>On-Time Delivery</p>	<p>We ship your orders from our stock instantly. Therefore, the product is delivered as soon as possible and in the fastest way possible.</p>
<p>Complete Delivery</p>	<p>Thanks to the barcode system and automated packaging system we use in production, your orders are shipped with 100% accuracy.</p>
<p>Easy Assembly</p>	<p>Hassle-free cable installation thanks to the convenient countersink</p>
<p>Appropriate Hardness</p>	<p>Cable lugs that are soft enough to be easily shaped and hard enough not to loosen, thanks to advanced annealing technology.</p>
<p>Çeşitlilik</p>	<p>Solutions to all sectoral applications thanks to special productions, different hole diameters, wide product range.</p>
<p>Standards</p>	<p>Production in accordance with TSE, DIN standards</p>

SKP CABLE LUGS

DIN 46235 Series

Features

- Cross-sectional Area: 6 - 630 mm²
- Electrolytic Copper
- Tin-plated
- Appropriate Hardness, Annealed Copper
- Proper branding



Product Code	Cable Cross Section mm ²	Bolt	Inner Diameter (d1)	Outer Diameter (d2)	Tail Length (L1)	Hole Length (a)	Title Width (b)	c1	c2	Total Height (L)	Box Quantity
TKD.103.01	6	M5	4,00	5,50	24,00	10,00	8,50	9,00	6,00	33,00	500
TKD.103.02	10	M6 M8	4,70	6,00	27,00	10,00	9,00	9,00 10,50	6,00 8,00	36,00 37,50	500
TKD.103.03	16	M6 M8 M10	5,70	8,50	36,00	20,00	13,00 13,00 17,00	10,50 13,00 15,00	8,00 10,00 12,00	46,50 49,00 51,00	250
TKD.103.04	25	M6 M8 M10 M12	7,20	10,00	38,00	20,00	14,00 16,00 17,00 19,00	10,50 13,00 15,00 16,00	8,00 10,00 12,00 13,00	48,50 51,00 53,00 54,00	200
TKD.103.05	35	M8 M10 M12	8,40	12,50	42,00	20,00	17,00 19,00 21,00	13,00 15,00 16,00	10,00 12,00 13,00	55,00 57,00 58,00	100
TKD.103.06	50	M8 M10 M12 M16	10,20	14,50	52,00	28,00	20,00 22,00 24,00 28,00	13,00 15,00 16,00 19,00	10,00 12,00 13,00 16,00	65,00 67,00 68,00 71,00	50
TKD.103.07	70	M8 M10 M12 M16	11,70	16,50	55,00	28,00	24,00 24,00 24,00 30,00	13,00 15,00 16,00 19,00	10,00 12,00 13,00 16,00	68,00 70,00 71,00 74,00	50
TKD.103.08	95	M10 M12 M16	13,70	19,00	65,00	35,00	28,00 28,00 32,00	15,00 16,00 19,00	12,00 13,00 16,00	80,00 81,00 84,00	40
TKD.103.09	120	M10 M12 M16 M20	15,70	21,00	70,00	35,00	32,00 32,00 32,00 38,00	15,00 16,00 19,00 22,00	12,00 13,00 16,00 20,00	85,00 86,00 89,00 92,00	30
TKD.103.10	150	M10 M12 M16 M20	17,20	23,50	78,00	35,00	34,00 34,00 34,00 40,00	15,00 16,00 19,00 22,00	12,00 13,00 16,00 20,00	93,00 94,00 97,00 100,00	20
TKD.103.11	185	M10 M12 M16 M20	19,20	25,50	82,00	40,00	37,00 37,00 37,00 40,00	15,00 16,00 19,00 22,00	12,00 13,00 16,00 20,00	97,00 98,00 101,00 104,00	20
TKD.103.12	240	M10 M16 M20	21,70	29,00	92,00	50,00	42,00 42,00 45,00	16,00 19,00 22,00	13,00 16,00 20,00	108,00 111,00 114,00	10
TKD.103.13	300	M16 M20	24,70	32,00	100,00	70,00	48,00	19,00 22,00	16,00 20,00	119,00 122,00	10
TKD.103.14	400	M16 M20	27,50	38,50	115,00	80,00	55,00	25,00 25,00	16,00 20,00	140,00 140,00	6
TKD.103.15	500	M20	31,20	42,00	125,00	100,00	60,00	25,00	20,00	150,00	4
TKD.103.16	625	M20	35,20	45,00	135,00	100,00	60,00	25,00	20,00	160,00	4

Part Number: TKD.103

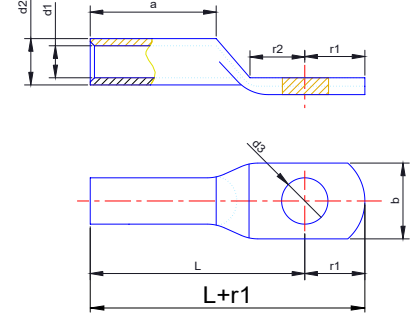
SKP CABLE LUGS

Standard Series



Features

- Cross-sectional Area: 6 - 500 mm²
- Electrolytic Copper
- Tin-plated
- Appropriate Hardness, Annealed Copper
- **TS EN 61238-1 Certified**



Part Number: TKR.103

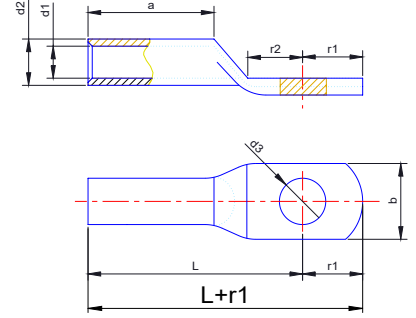
Product Code	Cable Cross Section mm ²	Bolt	Delik Çapı (d3)	Inner Diameter (d1)	Outer Diameter (d2)	Hole Size (a)	Title Width (b)	Tail Length (L1)	r1	r2	Total Height (L)	Box Quantity
TKR.103.01	6	M5	5,50	4,00	5,50	7,50	12,00	24,00	8,00	8,00	32,00	500
TKR.103.02	10	M6	6,50	4,70	6,00	9,00	12,00	27,00	8,00	9,00	35,00	500
TKR.103.03	16	M8	8,50	6,20	8,00	11,50	13,00	29,00	9,00	9,00	38,00	250
TKR.103.04	25	M8	8,50	7,20	9,00	13,00	14,00	31,50	10,00	9,00	41,50	250
TKR.103.05	35	M10	10,50	8,20	11,00	15,50	21,50	40,00	10,00	9,75	50,00	150
TKR.103.06	50	M10	10,50	10,20	13,00	18,50	22,50	44,00	13,00	13,00	57,00	100
TKR.103.07	70	M12	12,50	12,20	15,00	21,50	25,00	49,00	10,00	14,50	59,00	75
TKR.103.08	95	M12	12,50	14,20	17,00	24,50	28,00	53,00	12,00	14,00	65,00	50
TKR.103.09	120	M14	14,50	15,20	19,00	27,00	26,00	59,00	13,00	13,50	72,00	40
TKR.103.10	150	M14	14,50	16,20	20,00	28,50	34,50	64,50	14,00	15,00	78,50	30
TKR.103.11	185	M16	16,50	19,20	23,00	33,50	36,00	72,00	18,00	19,00	90,00	20
TKR.103.12	240	M16	16,50	22,20	26,00	38,50	37,00	79,00	21,00	20,00	100,00	10
TKR.103.13	300	M20	22,00	24,20	29,00	42,50	40,00	85,00	20,00	20,50	105,00	10
TKR.103.14	400	M20	22,00	28,20	33,00	48,00	44,00	90,00	24,00	24,00	114,00	

SKP CABLE LUGS

Standard Series, Long Type

Features

- Cross-sectional Area: 6 - 500 mm²
- Electrolytic Copper
- Tin-plated
- Appropriate Hardness, Annealed Copper



Part Number: TKRU.103

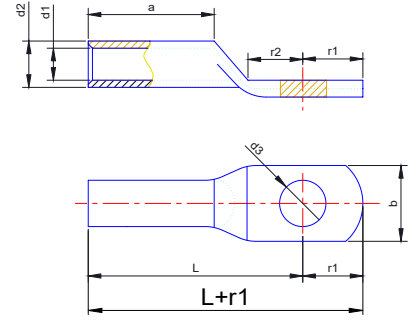
Product Code	Cable Cross Section (mm ²)	Bolt	Delik Çapı (d3)	Inner Diameter (d1)	Outer Diameter (d2)	Title Width (b)	Headline Size (a)	Tail Length (L1)	r1	r2	Total Height (L)	Box Quantity
TKRU.103.01	6	M5	5,50	4,00	5,50	7,50	17,00	24,00	8,00	8,00	37,00	500
TKRU.103.02	10	M6	6,50	4,70	6,00	9,00	17,00	27,00	8,00	9,00	40,00	500
TKRU.103.03	16	M8	8,50	6,20	8,00	11,50	16,00	29,00	9,00	9,00	41,00	250
TKRU.103.04	25	M8	8,50	7,20	9,00	13,00	21,50	31,50	10,00	9,00	49,00	250
TKRU.103.05	35	M10	10,50	8,20	11,00	15,50	26,50	40,00	10,00	10,00	55,00	150
TKRU.103.06	50	M10	10,50	10,20	13,00	18,50	25,50	44,00	13,00	13,00	60,00	100
TKRU.103.07	70	M12	12,50	12,20	15,00	21,50	36,00	49,00	10,00	14,50	70,00	75
TKRU.103.08	95	M12	12,50	14,20	17,00	24,50	39,00	53,00	12,00	14,00	76,00	50
TKRU.103.09	120	M14	14,50	15,20	19,00	27,00	39,00	59,00	13,00	13,50	85,00	40
TKRU.103.10	150	M14	14,50	16,20	20,00	28,50	44,00	64,50	14,00	15,00	88,00	30
TKRU.103.11	185	M16	16,50	19,20	23,00	33,50	41,00	72,00	18,00	19,00	95,00	20
TKRU.103.12	240	M16	16,50	22,20	26,00	38,50	41,00	79,00	21,00	20,00	104,00	10
TKRU.103.13	300	M20	22,00	24,20	29,00	42,50	48,00	85,00	20,00	20,50	113,00	10
TKRU.103.14	400	M20	22,00	28,20	33,00	48,00	52,00	90,00	24,00	24,00	120,00	6

SKP CABLE LUGS

Economic Series

Features

- Cross-sectional Area: 6 - 300 mm²
- Electrolytic Copper
- Kalay Kaplı
- Uygun Sertlik, Tavlanmış Bakır



Part Number: TKPF.103

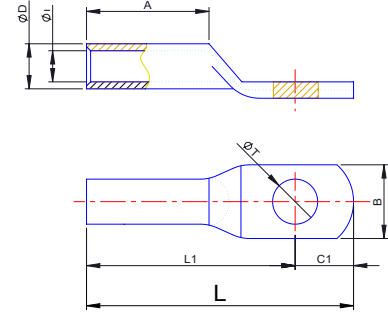
Product Code	Cable Cross Section (mm ²)	Bolt	Delik Çapı (d3)	Inner Diameter (d1)	Outer Diameter (d2)	Title Width (b)	Başlık Boyu (a)	Tail Length (L1)	r1	r2	Total Height (L+r1)	Box Quantity
TKPF.103.01	6	M4	5,50	4,00	5,50	7,50	13,00	24,00	8,00	8,50	32,00	500
TKPF.103.02	10	M4	6,50	4,70	6,00	9,00	12,50	27,00	7,50	8,25	34,50	500
TKPF.103.03	16	M6	8,50	5,70	7,00	10,00	15,00	29,50	9,00	9,00	38,50	250
TKPF.103.04	25	M8	8,50	7,20	8,50	12,50	14,00	31,50	10,00	10,50	41,50	250
TKPF.103.05	35	M10	10,50	8,20	10,00	14,50	18,00	38,00	12,00	12,00	50,00	150
TKPF.103.06	50	M10	10,50	10,20	12,00	17,50	26,00	47,00	10,00	10,00	57,00	100
TKPF.103.07	70	M12	12,50	11,70	14,00	20,50	24,00	48,50	10,50	13,50	59,00	75
TKPF.103.08	95	M12	12,50	13,70	16,00	23,50	27,00	52,75	12,25	12,50	65,00	50
TKPF.103.09	120	M14	14,50	15,50	18,00	26,50	28,00	57,50	13,50	14,00	71,00	40
TKPF.103.10	150	M14	14,50	17,20	20,00	29,50	36,00	65,00	14,00	15,00	79,00	30
TKPF.103.11	185	M16	16,50	18,70	22,00	32,00	36,00	72,00	18,00	18,00	90,00	20
TKPF.103.12	240	M16	16,50	20,70	24,50	36,50	40,00	80,00	20,00	20,50	100,00	10
TKPF.103.13	300	M20	22,00	23,20	28,00	42,00	40,00	83,00	22,00	23,00	105,00	
TKPF.103.14	400	M20	22,00	28,20	33,00	49,00	43,00	90,00	24,00	25,00	114,00	

SKP CABLE LUGS

Aluminum Series

Features

- Electrolytic Aluminum
- **TS EN 61238-1 Certified**

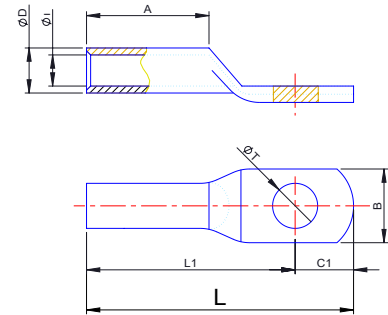


Product Code	Cable Cross Section (mm ²)	Bolt	Delik Çapı (ØT)	Inner Diameter (ØI)	Outer Diameter (ØD)	Title Width (B)	Başlık Boyu (A)	Tail Length (L1)	C1	Total Height (L)	Box Quantity
TKAD.103.03 A	16	M6	6,50	6,00	10,00	18,00	35,50	52,00	9,50	61,50	100
TKAD.103.04 A	25	M8	8,50	7,00	12,00	18,00	42,00	60,00	9,50	69,50	100
TKAD.103.05 A	35	M10	10,50	8,20	14,00	21,00	46,00	67,00	11,50	78,50	50
TKAD.103.06 A	50	M10	10,50	10,00	16,00	25,00	50,00	72,00	11,50	83,50	50
TKAD.103.07 A	70	M10	10,50	11,20	18,40	28,00	60,00	86,00	13,00	99,00	30
TKAD.103.08 A	95	M12	13,00	13,50	22,00	32,00	60,00	90,00	16,50	106,50	25
TKAD.103.09 A	120	M12	13,00	14,70	23,50	32,00	60,00	91,00	16,50	107,50	20
TKAD.103.10 A	150	M14	15,00	17,00	26,00	35,00	68,00	103,00	19,00	122,00	15
TKAD.103.11 A	185	M14	15,00	18,50	28,00	40,00	69,50	106,00	19,00	125,00	10
TKAD.103.12 A	240	M14	15,00	21,00	32,00	45,00	77,00	116,00	20,00	136,00	8
TKAD.103.13 A	300	M16	17,00	23,30	38,50	49,00	82,00	124,00	20,00	144,00	4

Aluminum Series

Features

- Electrolytic Aluminum
- **TS EN 61238-1 Certified**



Product Code	Cable Cross-Section (mm ²)	Inner Diameter (D1)	Outer Diameter (D2)	Boy (L)	Box Quantity
TKAD.102.03 A	16	6	10	58	100
TKAD.102.04 A	25	7	12	64	100
TKAD.102.05 A	35	8,2	14	75	50
TKAD.102.06 A	50	10	16	82	50
TKAD.102.07 A	70	11,2	18,4	96	30
TKAD.102.08 A	95	13,5	22	104	25
TKAD.102.09 A	120	14,7	23,5	116	20
TKAD.102.10 A	150	17	26	122	15
TKAD.102.11 A	185	18,5	28	125	10
TKAD.102.12 A	240	21	32	136	8
TKAD.102.13 A	300	23,3	38,5	144	4

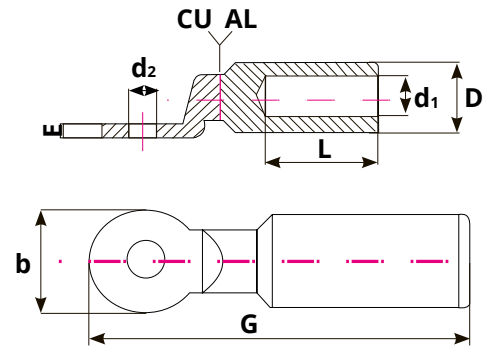
SKP CABLE LUGS

Bimetallic Series Standard Type



Features

- Cross-sectional Area 10 mm² – 630 mm²
- For aluminum cable-copper bus-bar connection
- It is manufactured using friction welding technology.
- High-quality and pure copper and aluminum
- Polished surface
- **TS EN 61238-1 Certified**



Product Code	Section (mm ²)	D ±0.2	d1 ±0.2	G±1	b±0.2	F±0.1	L±0.5
CAL-16BS	M8	16	6	82	24	3	41
CAL-25BS	M10	16	7	82	24	3	41
CAL-35BS	M10	16	8.5	82	24	3	41
CAL-50BS	M12	20	9.8	90	25	3.5	49
CAL-70BS	M12	20	11.6	90	25	3.5	49
CAL-95BS	M12	20	13.8	90	25	3.5	49
CAL-120BS	M12	25	15.5	113	28	4.2	60
CAL-150BS	M12	25	17	113	28	4.2	60
CAL-185BS	M12	32	18.5	130	35	5	62
CAL-240BS	M12	32	21.5	130	35	5	62
CAL-300BS	M12	34	24	135	36	5	63.5
CAL-400BS	M16	34	26	135	36	5	63.5

ADDITIONAL MUFFS

DIN Series

Product Code	Cable Cross-Section (mm ²)	Inner Diameter (D1)	Outer Diameter (D2)	Height (L)	Box Quantity
TKDE.102.01	6	4	5,5	30	500
TKDE.102.02	10	4,7	6	30	500
TKDE.102.03	16	5,7	8,5	50	250
TKDE.102.04	25	7,2	10	50	250
TKDE.102.05	35	8,4	12,5	50	150
TKDE.102.06	50	10,2	14,5	56	100
TKDE.102.07	70	11,7	16,5	56	75
TKDE.102.08	95	13,7	19	70	50
TKDE.102.09	120	15,7	21	70	40
TKDE.102.10	150	17,2	23,5	80	30
TKDE.102.11	185	19,2	25,5	90	20
TKDE.102.12	240	21,7	29	100	10
TKDE.102.13	300	24,7	32	120	
TKDE.102.14	400	27,5	38,5	150	
TKDE.102.15	500	31,2	42	160	
TKDE.102.16	625	35,2	45	160	



TSE Series

Product Code	Cable Cross-Section (mm ²)	Inner Diameter (D1)	Outer Diameter (D2)	Height (L)	Box Quantity
TKRE.102.01	6	4	5,5	25	500
TKRE.102.02	10	4,7	6	30	500
TKRE.102.03	16	6,2	8	35	250
TKRE.102.04	25	7,2	9	40	250
TKRE.102.05	35	8,2	11	45	150
TKRE.102.06	50	10,2	13	50	100
TKRE.102.07	70	12,2	15	55	75
TKRE.102.08	95	14,2	17	65	50
TKRE.102.09	120	15,2	19	70	40
TKRE.102.10	150	16,2	20	80	30
TKRE.102.11	185	19,2	23	85	20
TKRE.102.12	240	22,2	26	90	10
TKRE.102.13	300	24,2	29	104	



Economic Series

Product Code	Cable Cross-Section (mm ²)	Inner Diameter (D1)	Outer Diameter (D2)	Height (L)	Box Quantity
TKPE.102.01	6	4	5,5	25	500
TKPE.102.02	10	4,7	6	30	500
TKPE.102.03	16	6,2	8	35	250
TKPE.102.04	25	7,2	9	40	250
TKPE.102.05	35	8,2	11	45	150
TKPE.102.06	50	10,2	13	50	100
TKPE.102.07	70	12,2	15	55	75
TKPE.102.08	95	14,2	17	65	50
TKPE.102.09	120	15,2	19	70	40
TKPE.102.10	150	16,2	20	80	30
TKPE.102.11	185	19,2	23	85	20
TKPE.102.12	240	22,2	26	90	10
TKPE.102.13	300	24,2	29	104	



TIGHTENING METHOD



Safe Tightening

- ✓ Strip the cable to the required length according to the cable splice element.
- ✓ Make sure the cable and its connector are clean.
- ✓ Insert the cable fully into the splice element.
- ✓ Be sure to use the appropriate tightening tool.
- ✓ Squeeze from the innermost part to the outermost part.

TIGHTENING NUMBERS

Cross Section (mm ²)	SKP Cable Lugs		Cross Section (mm ²)	DIN 46235 Kablo Pabuçları		Cross Section (mm ²)	Alüminyum Kablo Pabuçları	
	Narrow Tightening Jaw	Wide Tightening Jaws		Narrow Tightening Jaw	Wide Tightening Jaws		Narrow Tightening Jaw	Wide Tightening Jaws
6	1		6	2		6		
10	1		10	2		10		
16	1	1	16	2	1	16	4	2
25	2	1	25	2	1	25	4	2
35	2	1	35	2	1	35	5	2
50	2	1	50	3	1	50	5	2
70	2	1	70	3	1	70	6	3
95	2	1	95	4	2	95	6	3
120	2	1	120	4	2	120	6	3
150	2	1	150	4	2	150	6	3
185	2	2	185	4	2	185	6	3
240	4	2	240	5	2	240	8	3
300	4	2	300		2	300	8	3
400	4	2	400		3	400		4
			500		3	500		4
			625		3			
			800		3			
			1000		3			